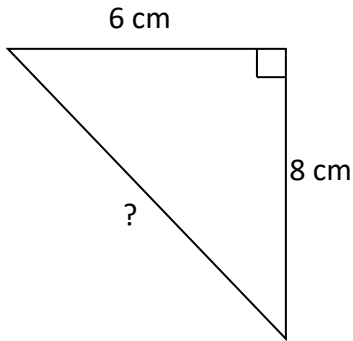


MATHS WORKSHEETS – TRIGONOMETRY – FINDING THE LENGTH OF THE HYPOTENUSE

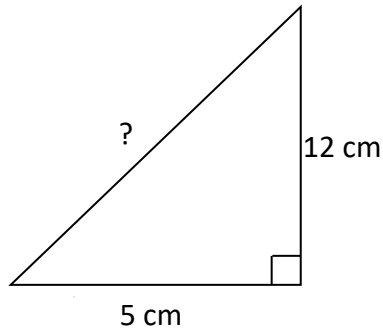
Find the length of the hypotenuse.

1.



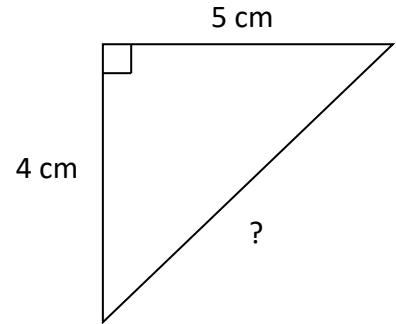
Answer:

2.



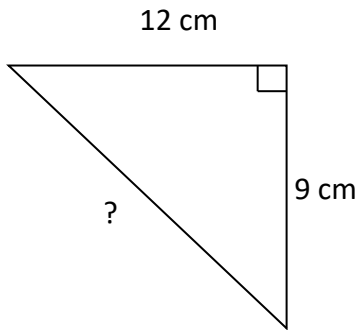
Answer:

3.



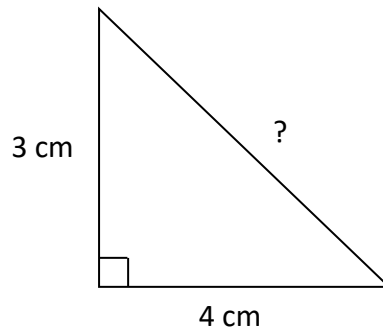
Answer:

4.



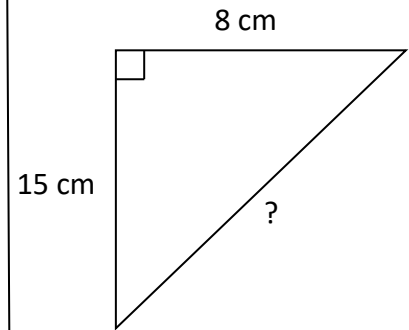
Answer:

5.



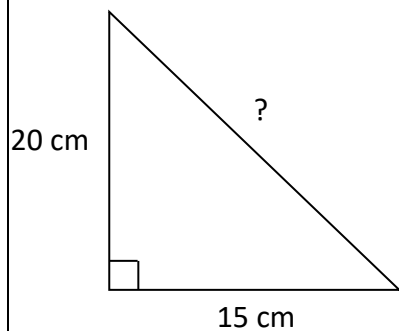
Answer:

6.



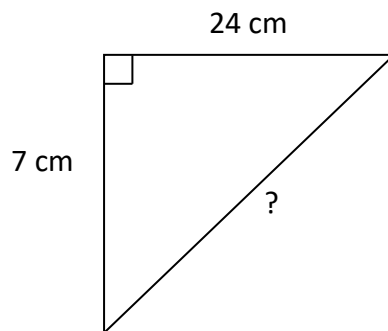
Answer:

7.



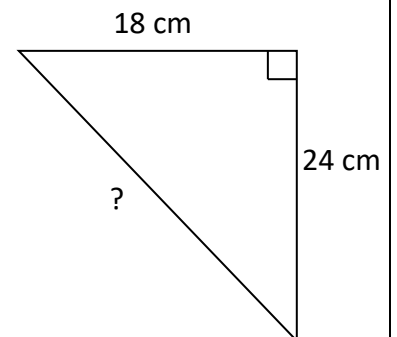
Answer:

8.



Answer:

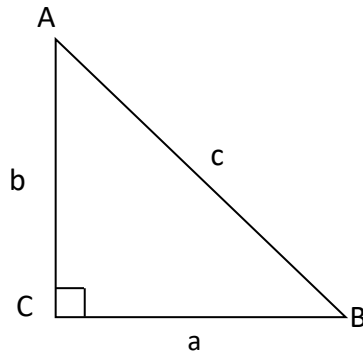
9.



Answer:

MATHS WORKSHEETS – TRIGONOMETRY – FINDING THE LENGTH OF THE HYPOTENUSE

Answer Key:



In any right-angled triangle, $c^2 = a^2 + b^2$

Side AB = hypotenuse

1. 10 cm
2. 13 cm
3. 6.40 cm
4. 15 cm
5. 5 cm
6. 17 cm
7. 25 cm
8. 25 cm
9. 30 cm