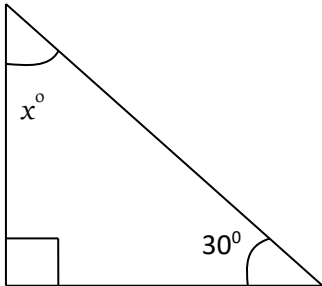


MATHS WORKSHEETS- TRIANGLE- INTERIOR ANGLE

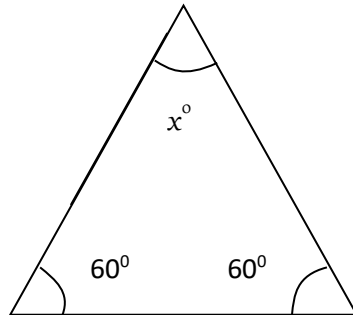
Find the missing angles in the following triangles: (The angles are not drawn to scale).

1.



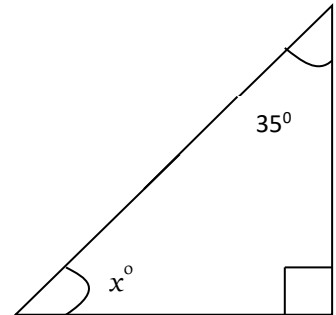
Answer:

2.



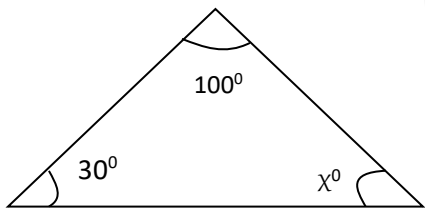
Answer:

3.



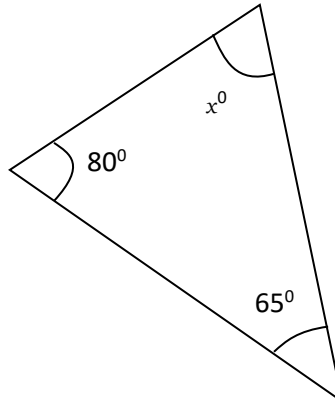
Answer:

4.



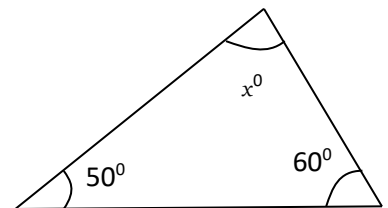
Answer:

5.



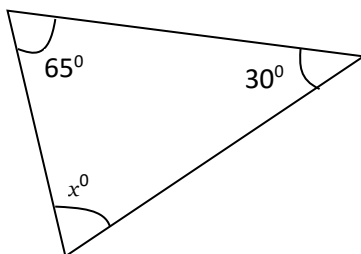
Answer:

6.



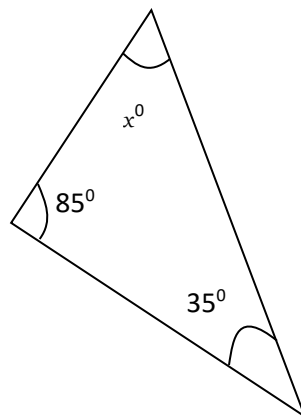
Answer:

7.



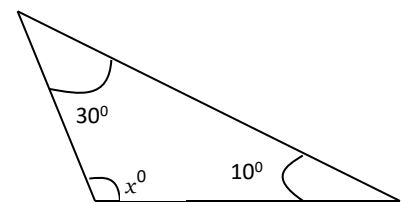
Answer:

8.



Answer:

9.



Answer:

Answer Key:

(Hint: Sum of the interior angles = 180°)

1. 60°

2. 60°

3. 55°

4. 50°

5. 35°

6. 70°

7. 85°

8. 60°

9. 140°