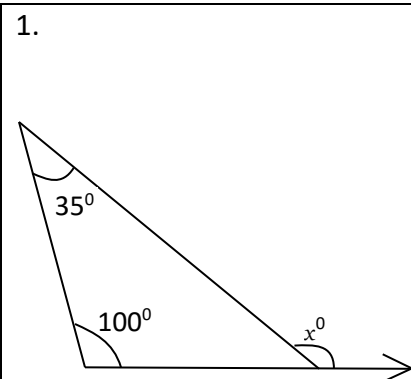
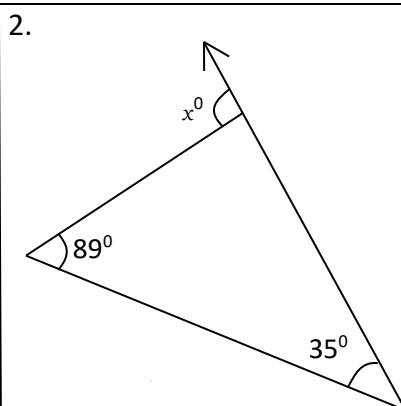


## MATHS WORKSHEETS- TRIANGLE- EXTERIOR ANGLE

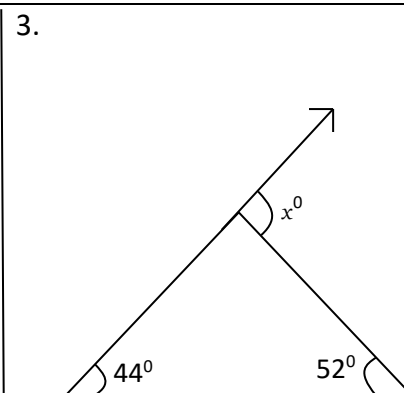
Find the missing angles in the following triangles: (The angles are not drawn to scale).



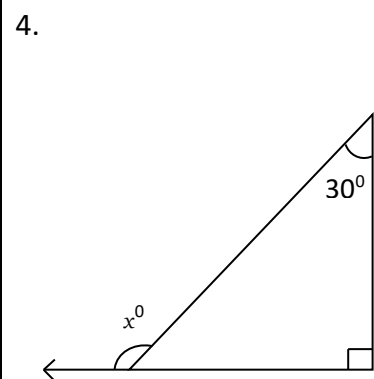
Answer:



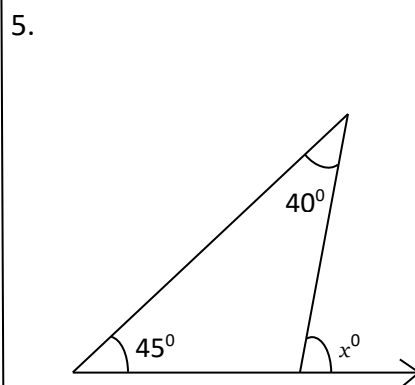
Answer:



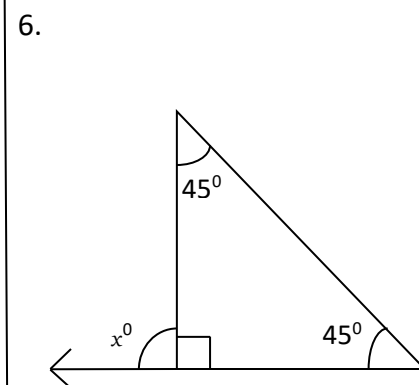
Answer:



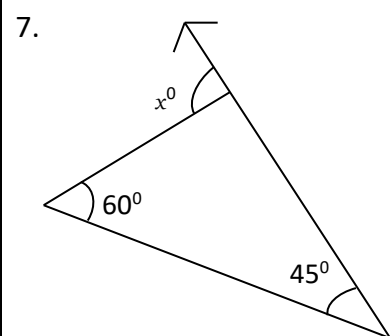
Answer:



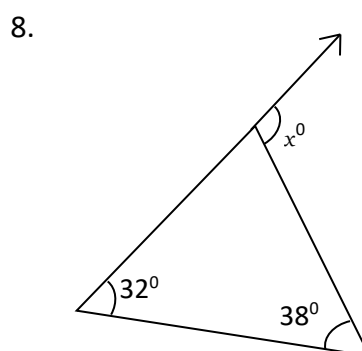
Answer:



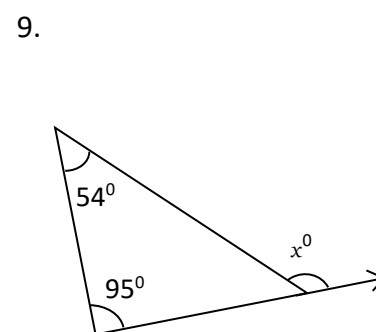
Answer:



Answer:



Answer:



Answer:

**Answer Key:**

Hint: Exterior Angle = Sum of the two opposite interior angles of the triangle

1.  $135^{\circ}$

2.  $124^{\circ}$

3.  $96^{\circ}$

4.  $120^{\circ}$

5.  $85^{\circ}$

6.  $90^{\circ}$

7.  $105^{\circ}$

8.  $70^{\circ}$

9.  $149^{\circ}$