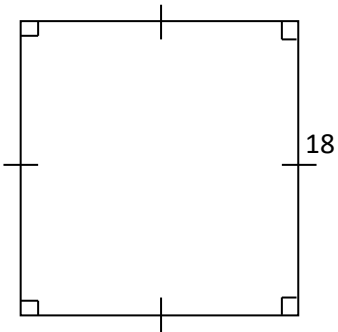


MATHS WORKSHEETS- PERIMETERS OF REGULAR SHAPES

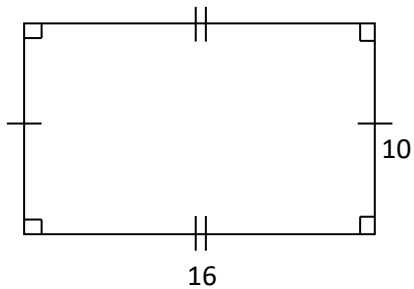
Find the perimeter of the following shapes. The measurements are given in centimeters.

1.



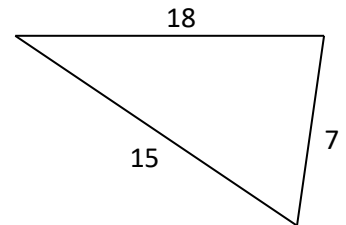
Answer:

2.



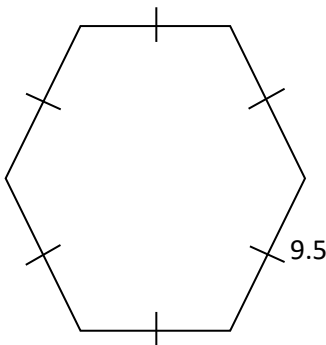
Answer:

3.



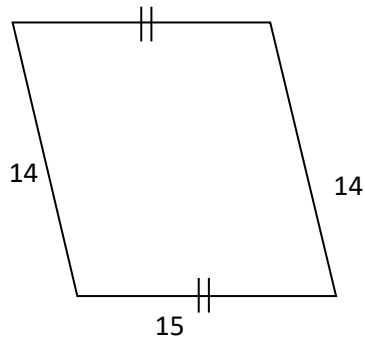
Answer:

4.



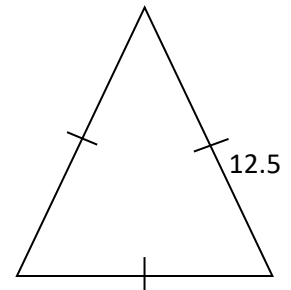
Answer:

5.



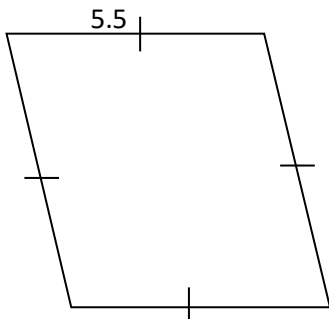
Answer:

6.



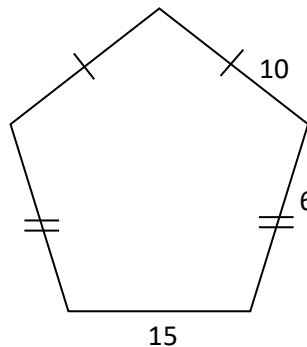
Answer:

7.



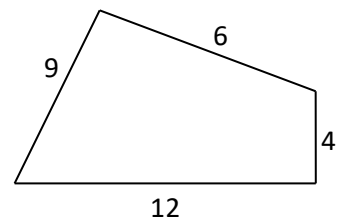
Answer:

8.



Answer:

9.



Answer:

Answer Key:

1. 72 cm

2. 52 cm

3. 40 cm

4. 57 cm

5. 58 cm

6. 37.5 cm

7. 22 cm

8. 47 cm

9. 31 cm