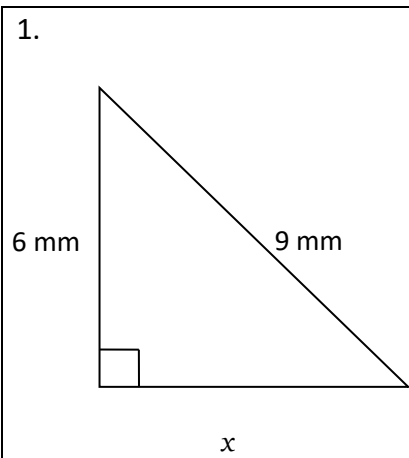
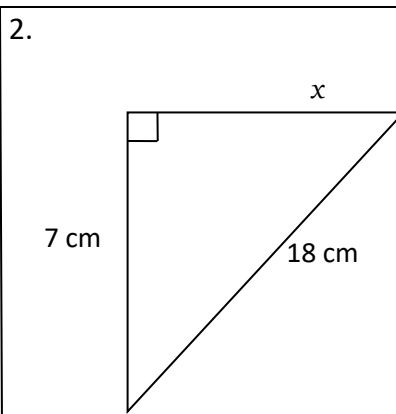


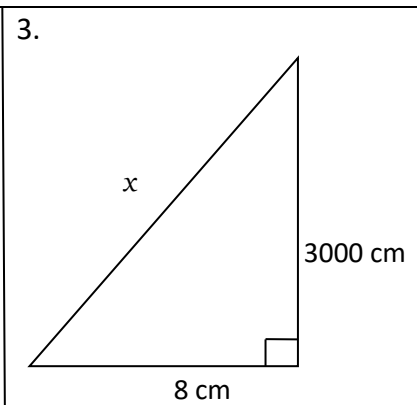
Calculate the measure of x in each right triangle. Round the answer to two decimal places.



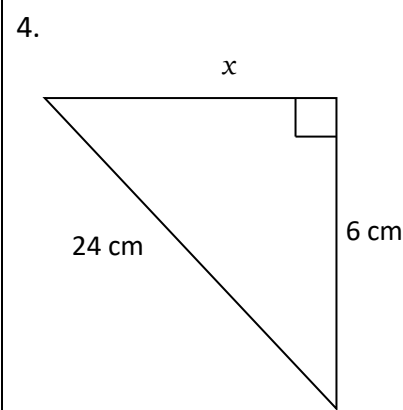
Answer:



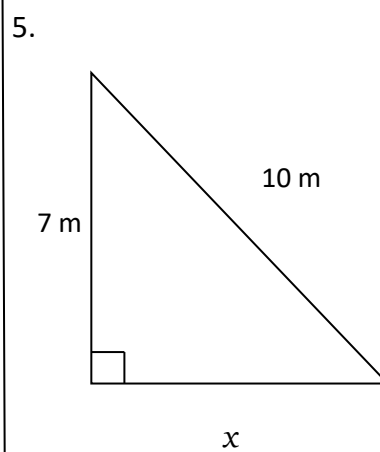
Answer:



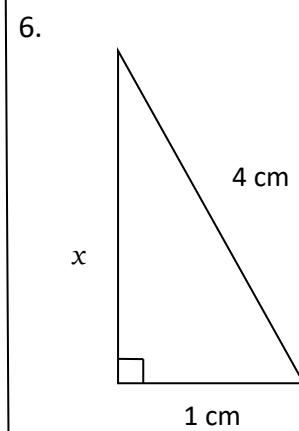
Answer:



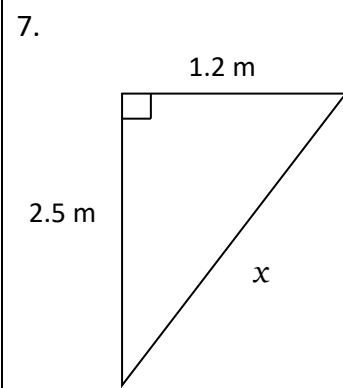
Answer:



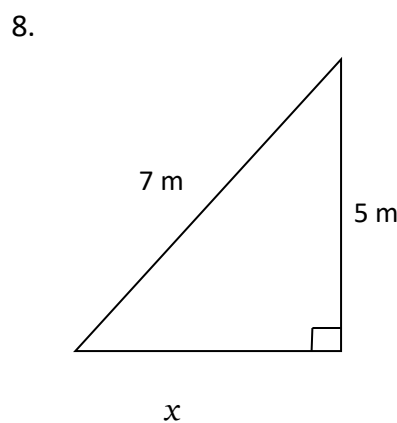
Answer:



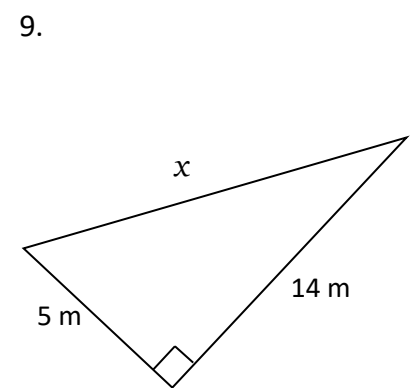
Answer:



Answer:



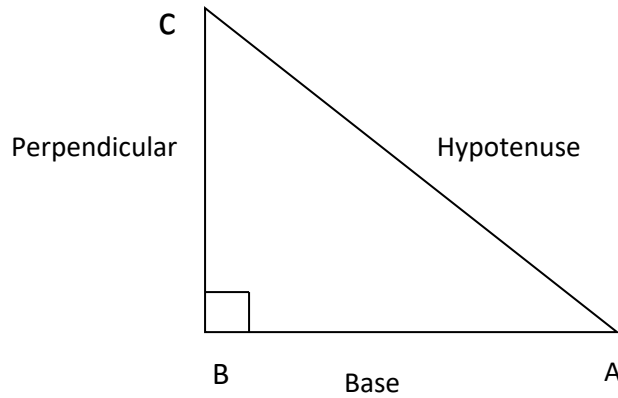
Answer:



Answer:

Answer Key:

In any right-angled triangle,



$$\text{Hypotenuse}^2 = \text{Perpendicular}^2 + \text{Base}^2$$

1. 6.71 mm
2. 16.58 cm
3. 3000.01 cm
4. 23.24 cm
5. 7.14 m
6. 3.87 cm
7. 2.77 m
8. 4.90 m
9. 14.87 m