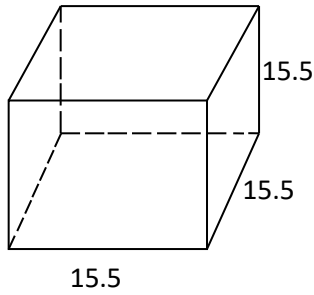


MATHS WORKSHEETS- VOLUME OF PRISMS

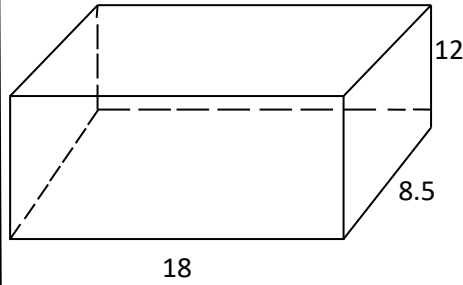
Find the volume of the following prisms. Lengths are given in cm. Areas are given in cm^2 .

1.



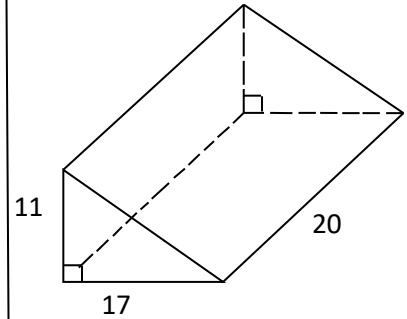
Answer:

2.



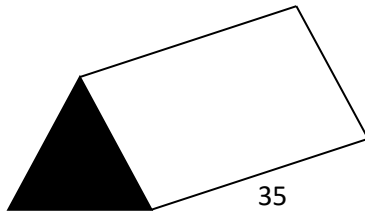
Answer:

3.



Answer:

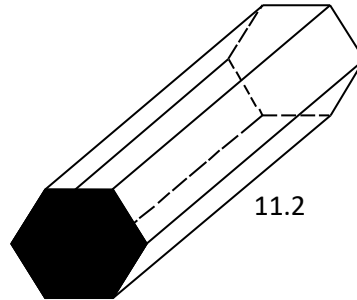
4.



A= 240

Answer:

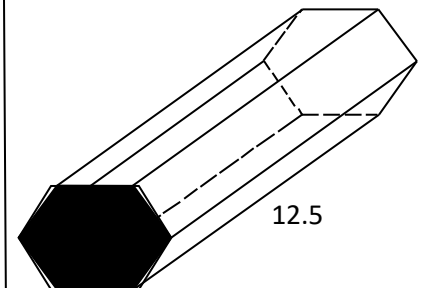
5.



A= 56

Answer:

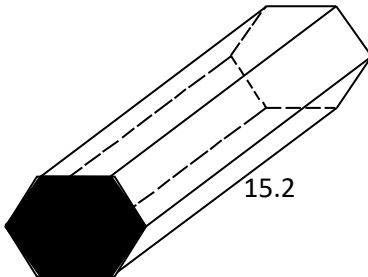
6.



A= 42

Answer:

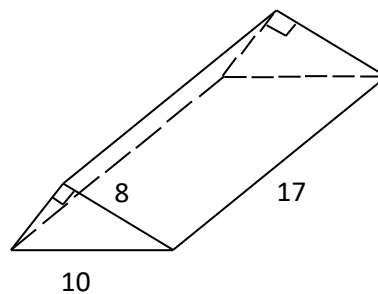
7.



A= 60

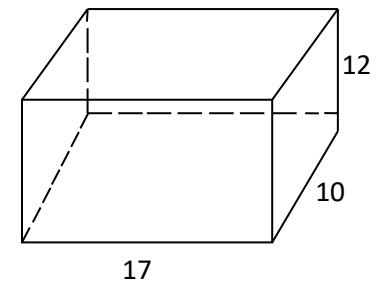
Answer:

8.



Answer:

9.



Answer:

Answer Key:

1. $(15.5)^3 = 3723.88 \text{ cm}^3$
2. $18 * 8.5 * 12 = 1836 \text{ cm}^3$
3. $\frac{1}{2} * 11 * 17 * 20 = 1870 \text{ cm}^3$
4. $240 * 35 = 8400 \text{ cm}^3$
5. $56 * 11.2 = 627.2 \text{ cm}^3$
6. $42 * 12.5 = 525 \text{ cm}^3$
7. $60 * 15.2 = 912 \text{ cm}^3$
8. side=6 ($10^2 = 6^2 + 8^2$). (Take the two dimensions near right angle symbol)
 $\frac{1}{2} * 6 * 8 * 17 = 408 \text{ cm}^3$
9. $17 * 10 * 12 = 2040 \text{ cm}^3$