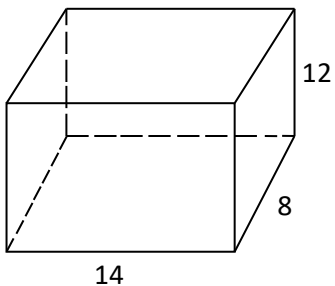


MATHS WORKSHEETS- VOLUME OF A RECTANGULAR PRISM

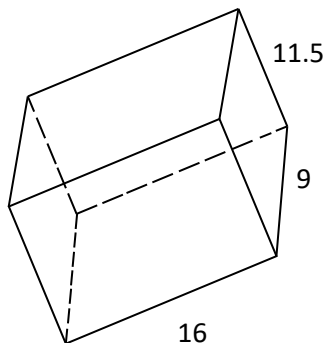
Find the volume of each rectangular prism. All measurements are given in cm.

1.



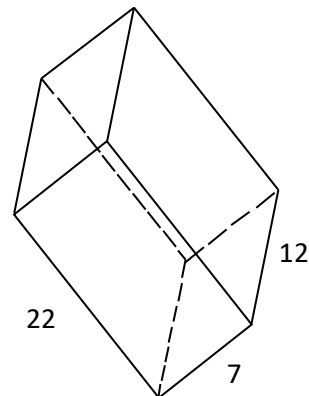
Answer:

2.



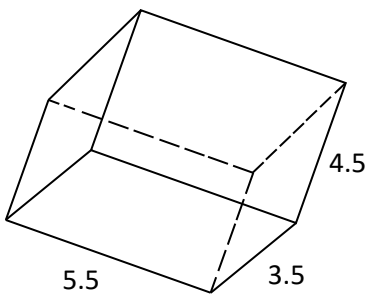
Answer:

3.



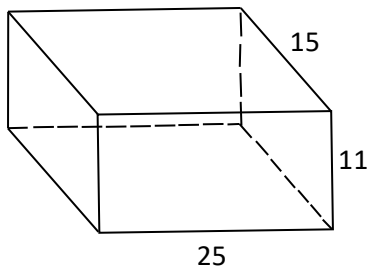
Answer:

4.



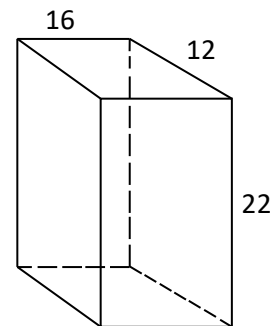
Answer:

5.



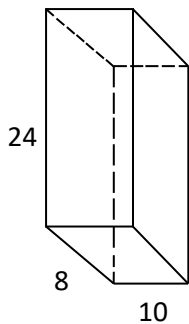
Answer:

6.



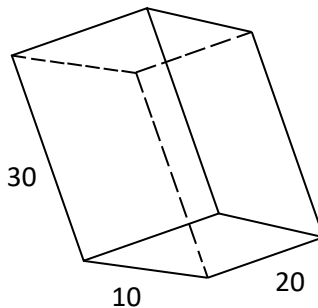
Answer:

7.



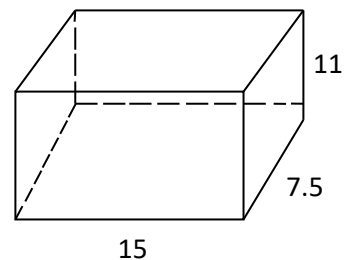
Answer:

8.



Answer:

9.



Answer:

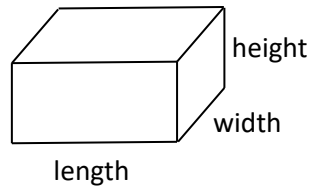
Answer Key:

Volume of a Rectangular prism = $l \times w \times h$ cubic units

where l = length

w = width

h = height



Key Points:

- Also called Cuboid
- 3D shape
- 6 faces, 12 edges, 8 vertices
- All faces are in rectangular shape.

1. 1344 cm^3

2. 1656 cm^3

3. 1848 cm^3

4. 86.63 cm^3

5. 4125 cm^3

6. 4224 cm^3

7. 1920 cm^3

8. 6000 cm^3

9. 1237.5 cm^3