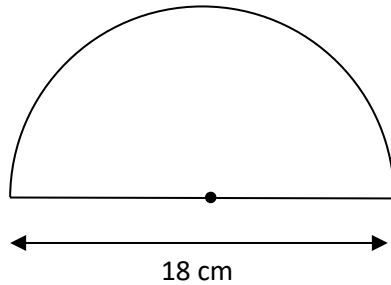


MATHS WORKSHEETS- SEMI-CIRCLE- AREA OF A SEMI-CIRCLE

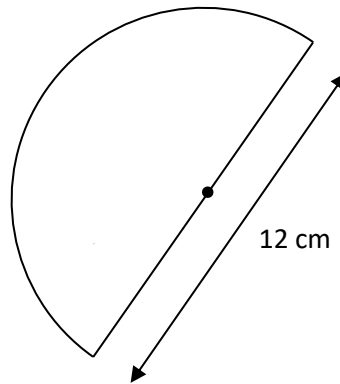
Calculate the area of these semi-circles correct to two decimal places.

1.



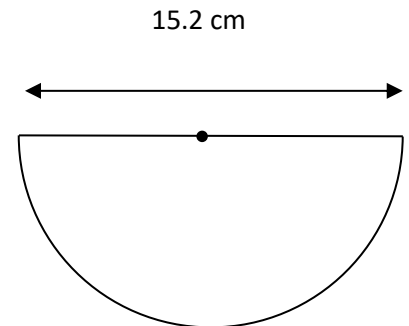
Answer:

2.



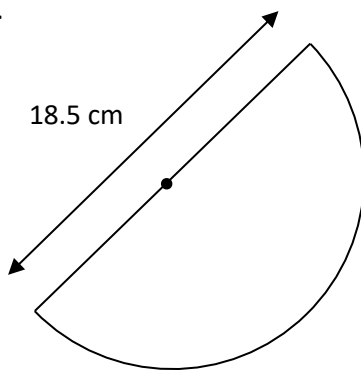
Answer:

3.



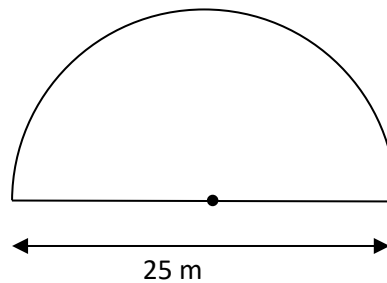
Answer:

4.



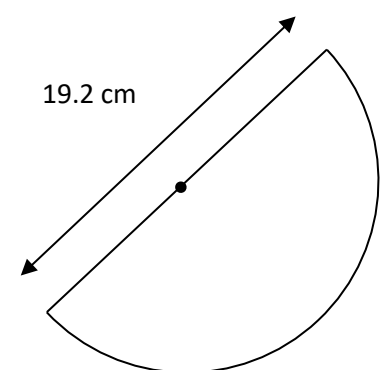
Answer:

5.



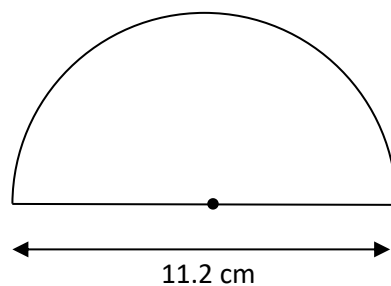
Answer:

6.



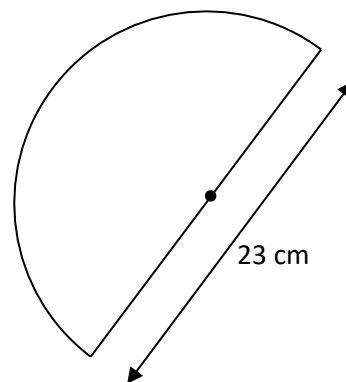
Answer:

7.



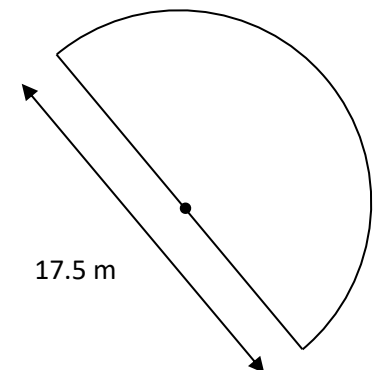
Answer:

8.



Answer:

9.



Answer:

Answer Key:

$$\text{Area of a Semi-circle} = \frac{\pi r^2}{2} \text{ sq. units}$$

where, $\pi = 3.14$ or $22/7$

r = radius

1. 508.68 cm²
2. 226.08 cm²
3. 362.73 cm²
4. 537.33 cm²
5. 981.25 m²
6. 578.76 cm²
7. 196.94 cm²
8. 830.53 cm²
9. 480.81 m²