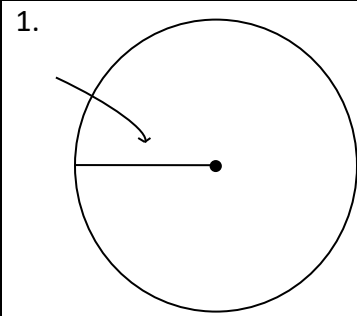
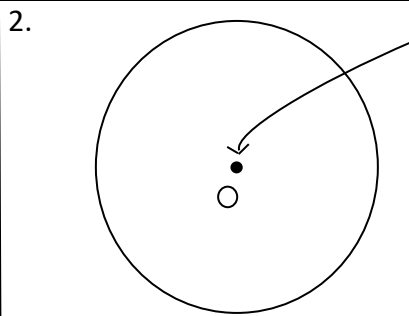


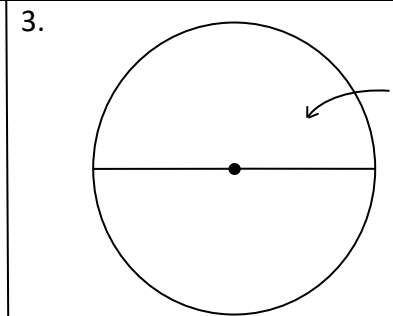
Name each part of the circle:



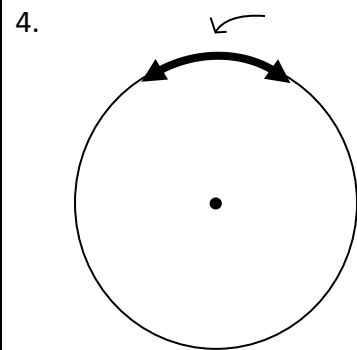
Answer:



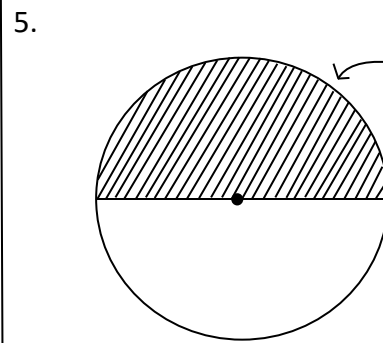
Answer:



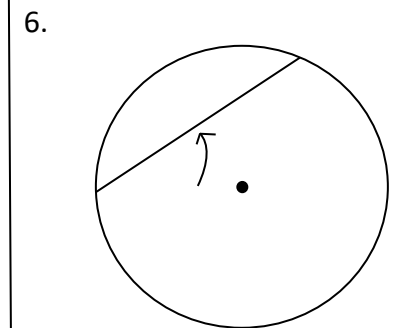
Answer:



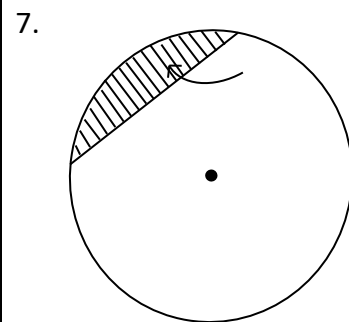
Answer:



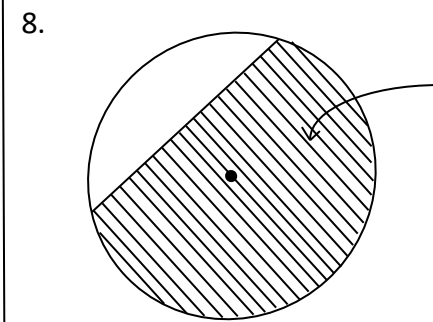
Answer:



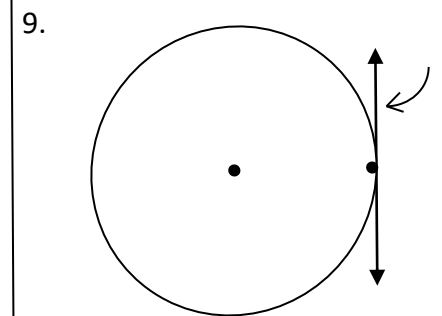
Answer:



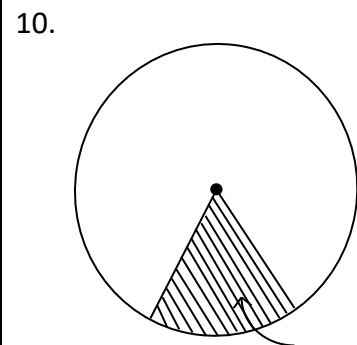
Answer:



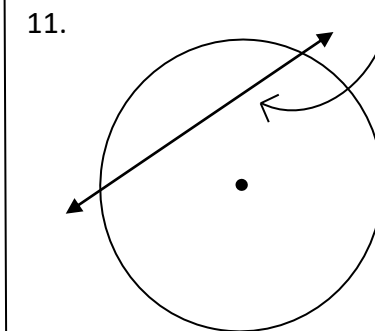
Answer:



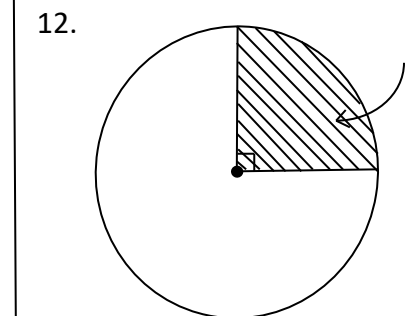
Answer:



Answer:



Answer:



Answer:

Answer Key:

1. Radius
2. Center
3. Diameter
4. Arc
5. Semi-circle
6. Chord
7. Minor Segment
8. Major Segment
9. Tangent
10. Sector
11. Secant
12. Quadrant