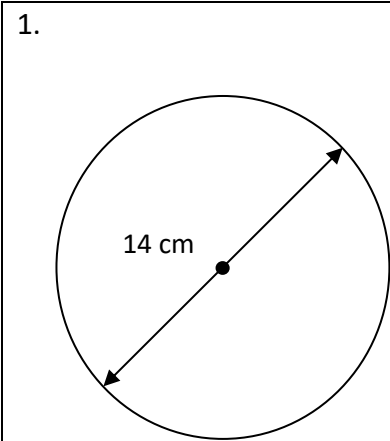
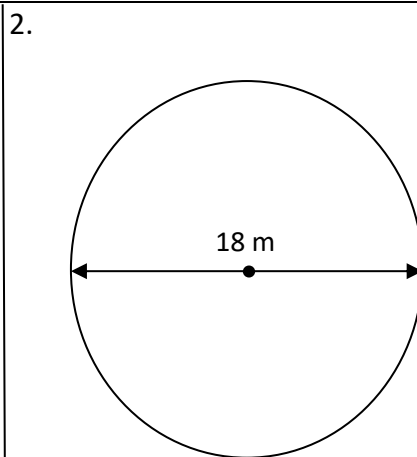


MATHS WORKSHEETS- CIRCLE- CIRCUMFERENCE OF A CIRCLE-
FROM DIAMETER

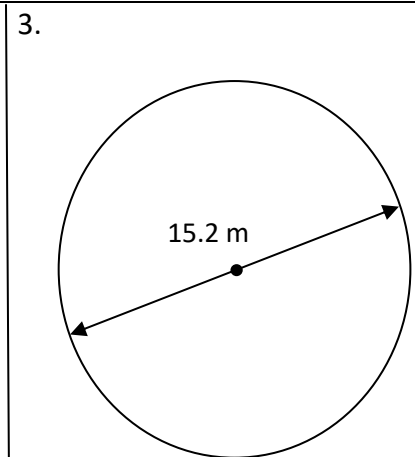
Calculate the circumference of the following circles correct to 2 decimal places and 3 significant figures.



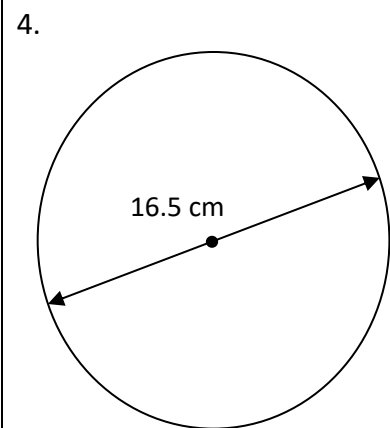
Answer:



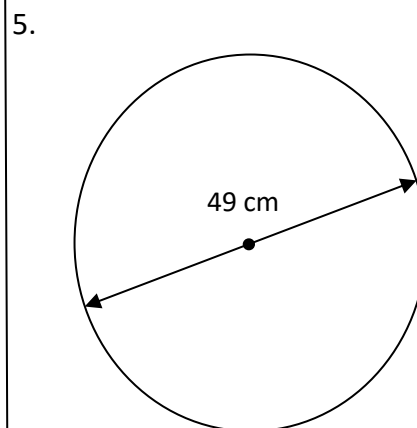
Answer:



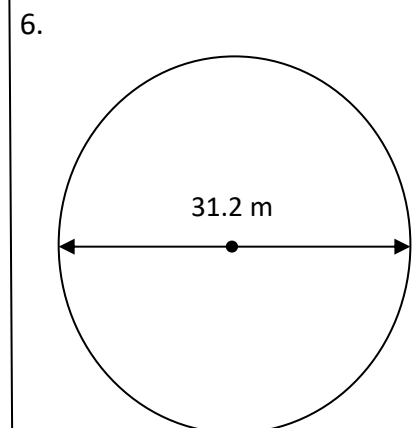
Answer:



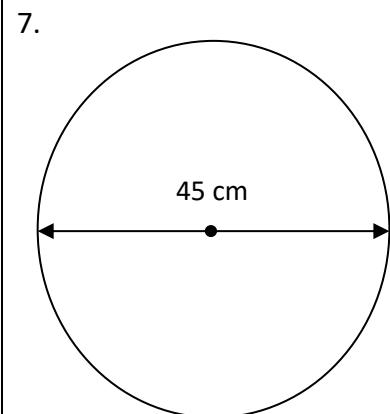
Answer:



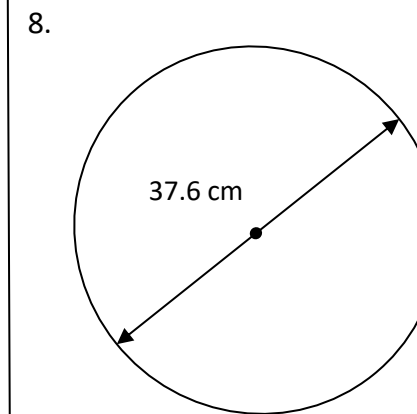
Answer:



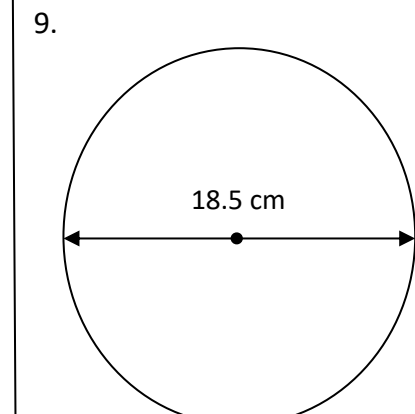
Answer:



Answer:



Answer:

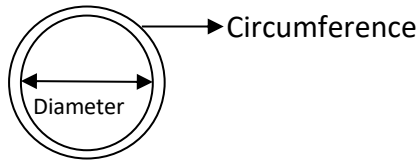


Answer:

MATHS WORKSHEETS- CIRCLE- CIRCUMFERENCE OF A CIRCLE-
FROM DIAMETER**Answer Key:**

Circumference of a circle is the measurements of the boundary of the circle

Circumference of a circle = $2\pi r$ or πd units, where $\pi = 3.14$



2 Decimal Places

3 Significant Figures

- | | |
|--------------|---------|
| 1. 43.96 cm | 44.0 cm |
| 2. 56.52 m | 56.5 m |
| 3. 47.73 m | 47.7 m |
| 4. 51.81 cm | 51.8 cm |
| 5. 153.86 cm | 154 cm |
| 6. 97.97 m | 98.0 m |
| 7. 141.30 cm | 141 cm |
| 8. 118.06 cm | 118 cm |
| 9. 58.09 cm | 58.1 cm |