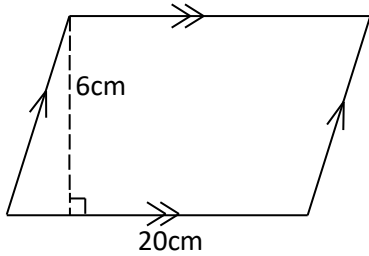


MATHS WORKSHEETS- AREA OF A PARALLELOGRAM

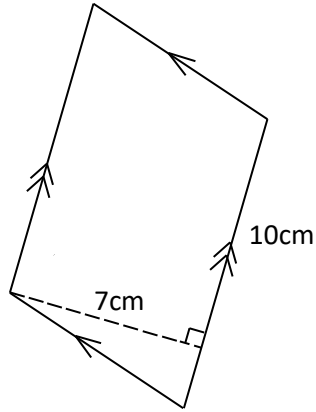
Find the area of each parallelogram:

1.



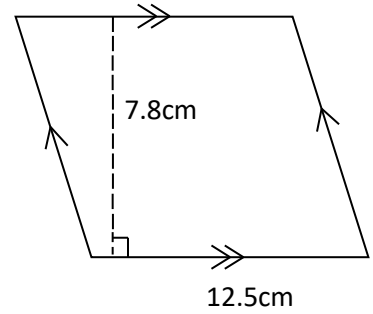
Answer:

2.



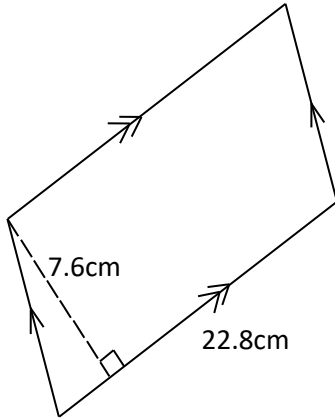
Answer:

3.



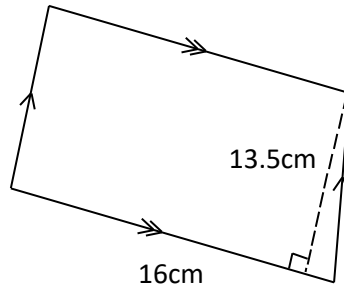
Answer:

4.



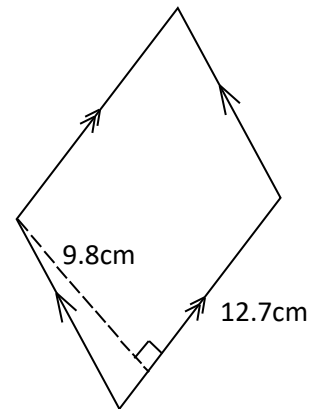
Answer:

5.



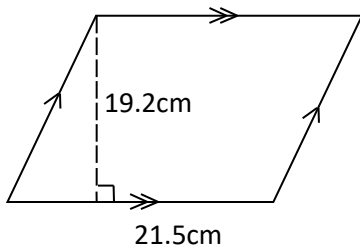
Answer:

6.



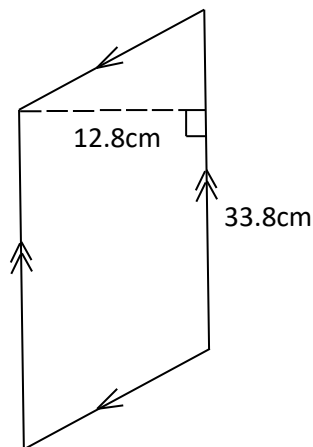
Answer:

7.



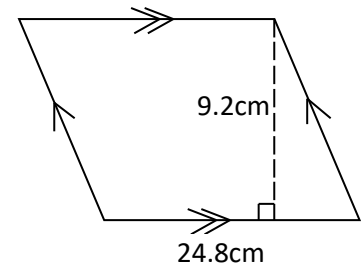
Answer:

8.



Answer:

9.



Answer:

Answer Key:

Parallelogram: 2D figure. Has 4 sides

- Sum of the interior angles = 360°
- 2 pairs of parallel sides with equal measures.
- Opposite sides: Equal length
- Opposite angles: Equal measures

Area of a parallelogram = Base * Height sq. units

1. 120 cm^2

2. 70 cm^2

3. 97.5 cm^2

4. 173.28 cm^2

5. 216 cm^2

6. 124.46 cm^2

7. 412.8 cm^2

8. 432.64 cm^2

9. 228.16 cm^2